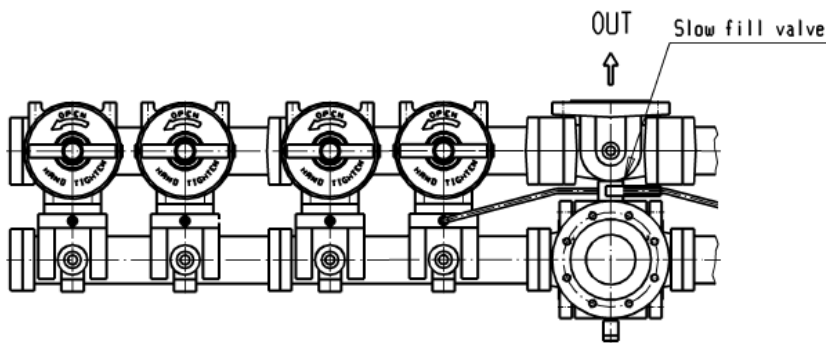


TYPE	A
Length 2	780
Length 3	1340



130S L-system 4+4

Dimensional drawing

Dimensions in mm

